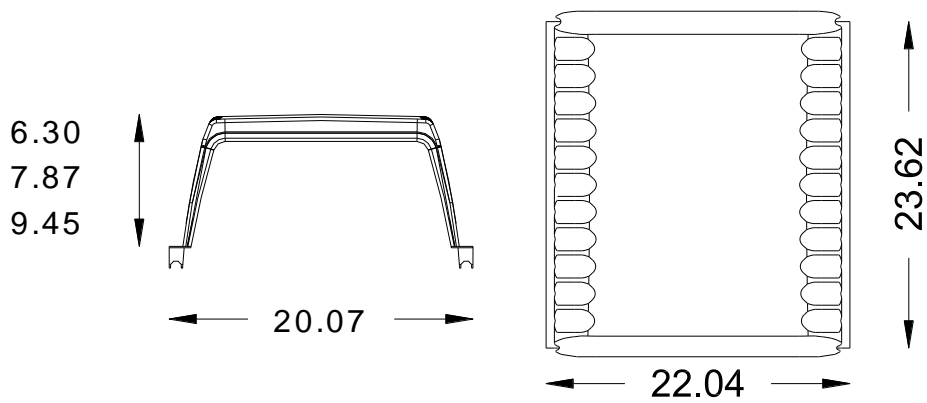
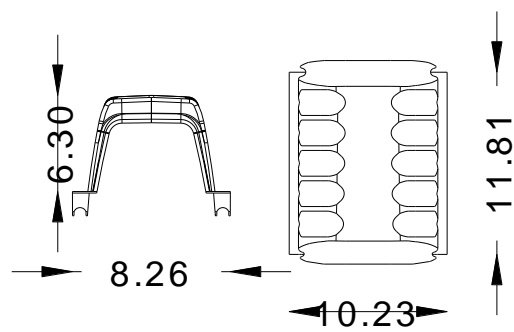


SKYRAIL

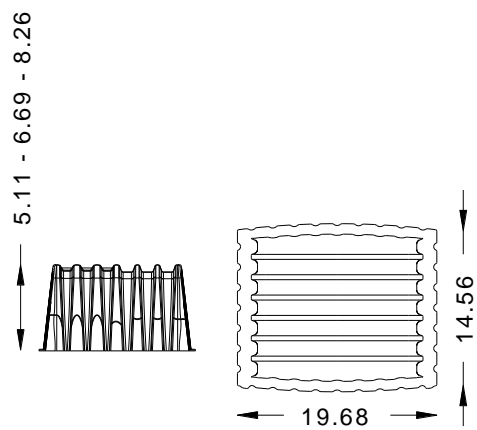
DIMENSIONS



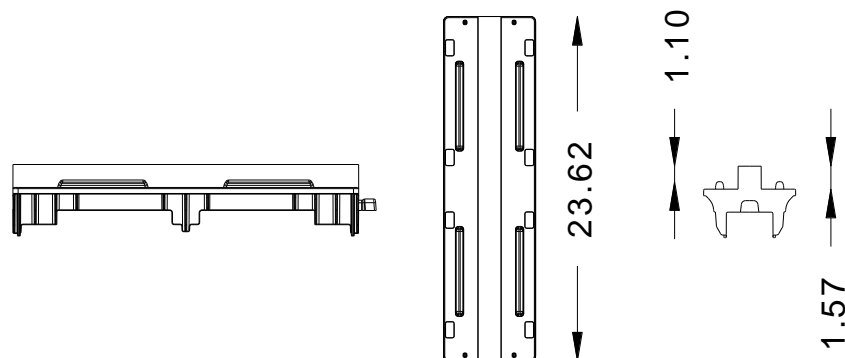
Skyrail cross-section and plane view [in]



Mini Skyrail cross-section and plane view [in]



Skyblock cross-section and plane view [in]



Plastic beam cross-section and plane view [in]

SKYRAIL DIMENSION CHART

Item	Main dimensions			
	On-centres	Span	Skyrail depth	Ribbing
	[in]	[in]	[in]	[in]
Skyrail H16	23.62	19.68	6.30	3.54
Skyrail H20	23.62	19.68	7.87	3.54
Skyrail H24	23.62	19.68	9.44	3.54

SKYRAIL LOGISTIC CHART

Item	Package size					
	Tractor load factor 246.1 [ft]			Trailer load factor 446.2 [ft]		
	No. Skyrail	No. beams	[sqft]	No. Skyrail	No. beams	[sqft]
Skyrail H16	1,664	1,664	6447.6	2,912	2,912	11280.6
Skyrail H20	1,632	1,632	6329.2	2,856	2,856	11065.3
Skyrail H24	1,600	1,600	6200.1	2,800	2,800	10850.1